

1 2 3 4 5 6 7 8

A

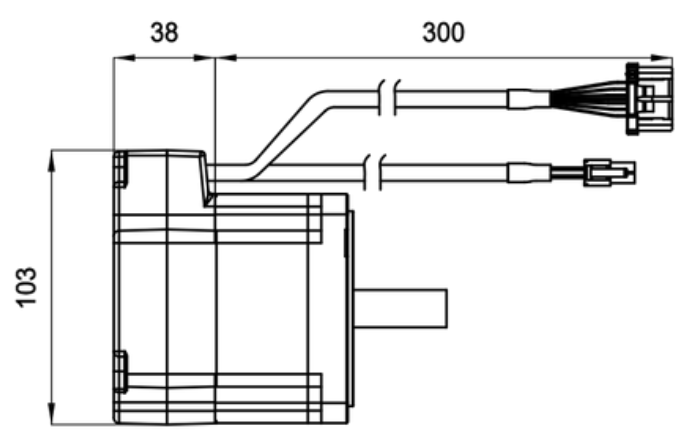
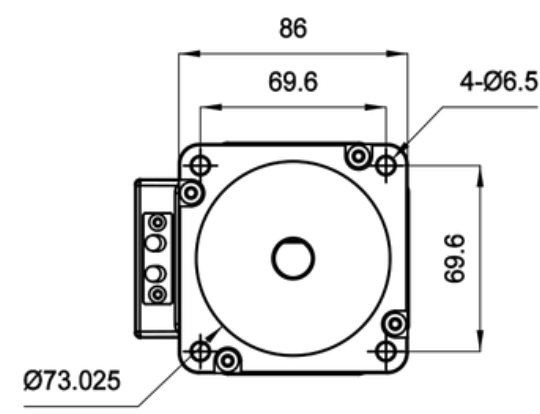
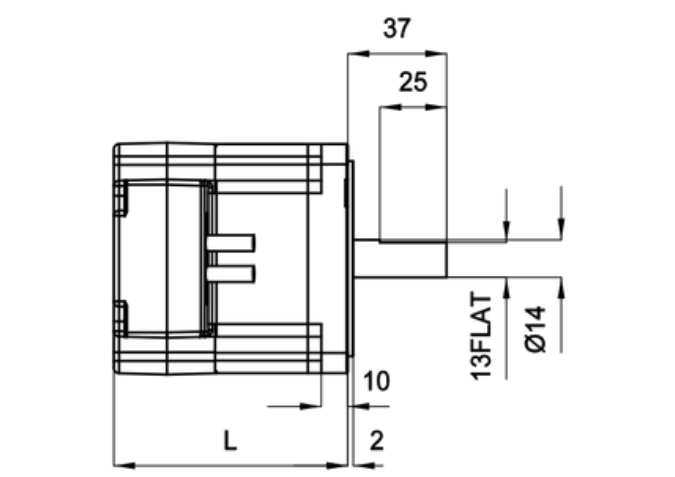
B

C

D

E

F



Compatible model [mm]	
MODEL	L
AM34RS1DMA	88
AM34RS3DMA	117.5
AM34RS5DMA	147

			Unit: mm	Approve			RS Motor		
			FIRST ANGLE METHOD	Standard					
			Tolerances for linear and angular dimensions without individual tolerance indications GB/T 1804-m eqv ISO 2768-1 : m	Technology					
			Geometrical tolerance for features without individual tolerance indications GB/T 1184-K eqv ISO 2768-2 : K	Check					
				Design		This document is released for information only. Its reproduction in whole or in part or its dissemination to third parties is prohibited. All trademarks and registered trademarks appearing on this document are the property of their respective owners.			
REV.	REVISION RECORD		DATE	UNLESS OTHERWISE SPECIFIED	NAMES	SIGNATURE	DATE	SCALE 1:1	Sheet 1 of 1

1 2 3 4 5 6 7 8